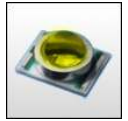


CUTE-4 MR11 lenses for CREE XR-E LEDs



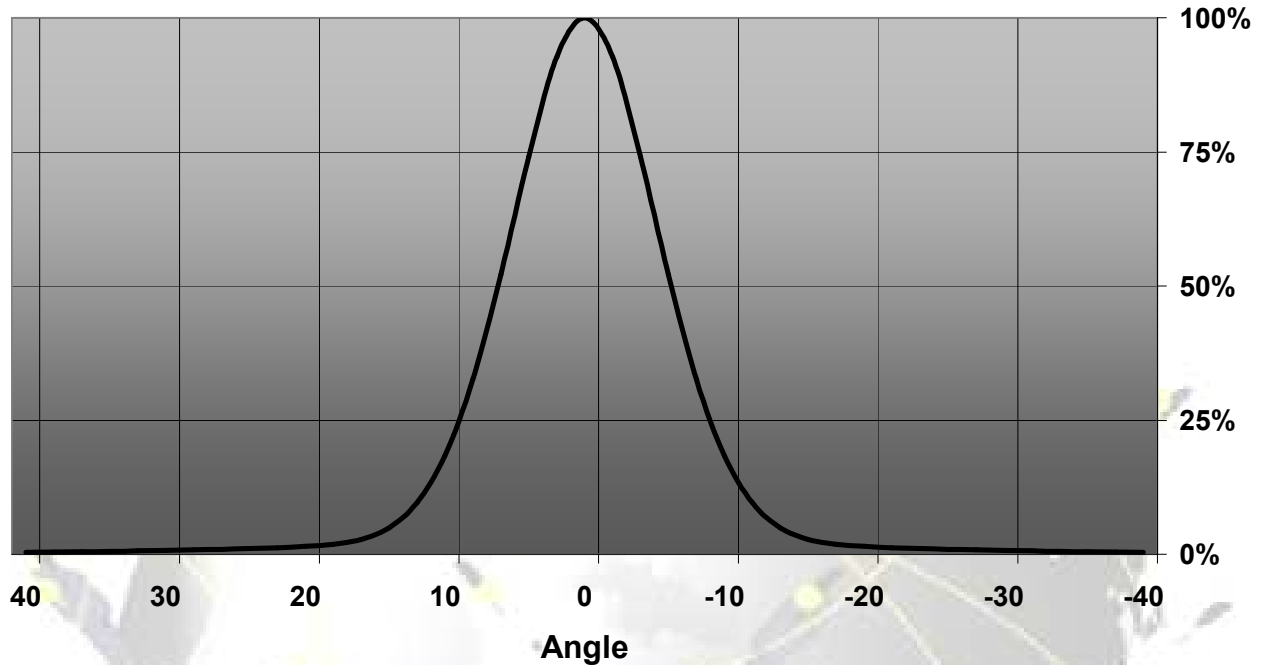
- Specially designed for Cree XLAMP XR-E series of LEDs.
- Special care taken to make a uniform white or warm white illumination. Lenses work well with other colors, too.
- Lens material optical grade PMMA. Allows use of high current and temperature conditions
- Best available optical efficiency, up to 90%.

LENS TYPES

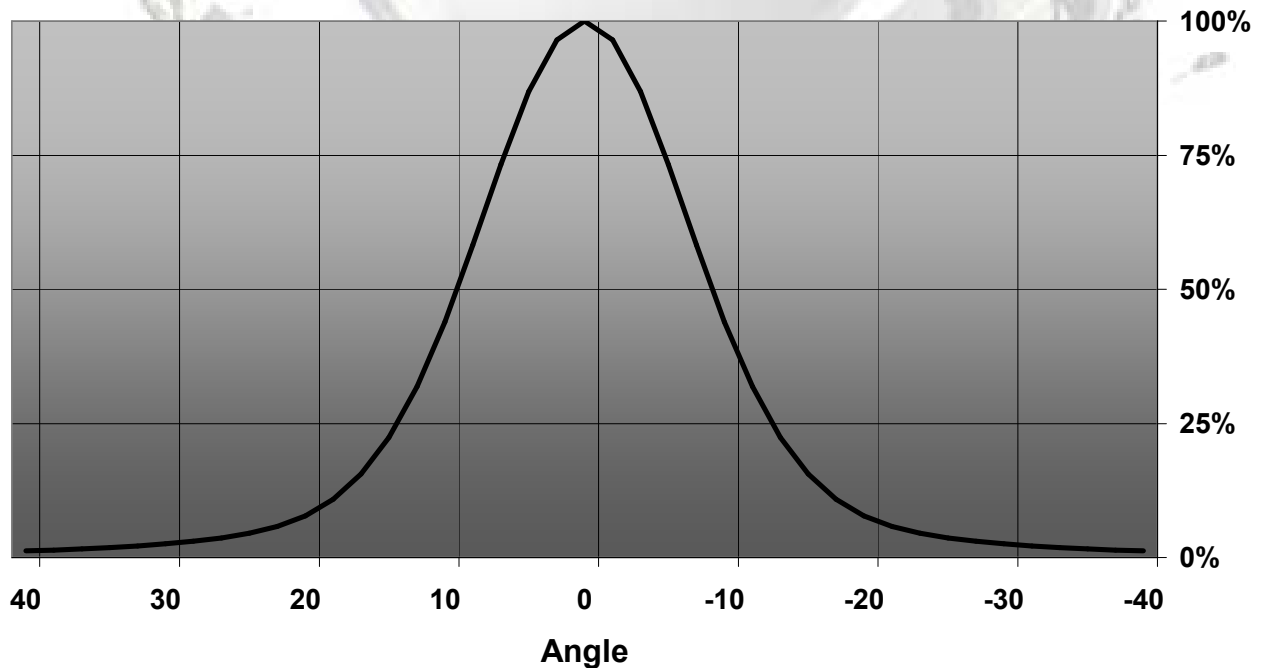
NAME	ORDERING CODE	FWHM
CUTE-4 SMOOTH SPOT	10446 Cute-4-SS	±4.5°
CUTE-4 MEDIUM	10447 Cute-4-M	±8.5°

MEASUREMENT DATA

Relative Intensity of 10446_Cute-4-SS



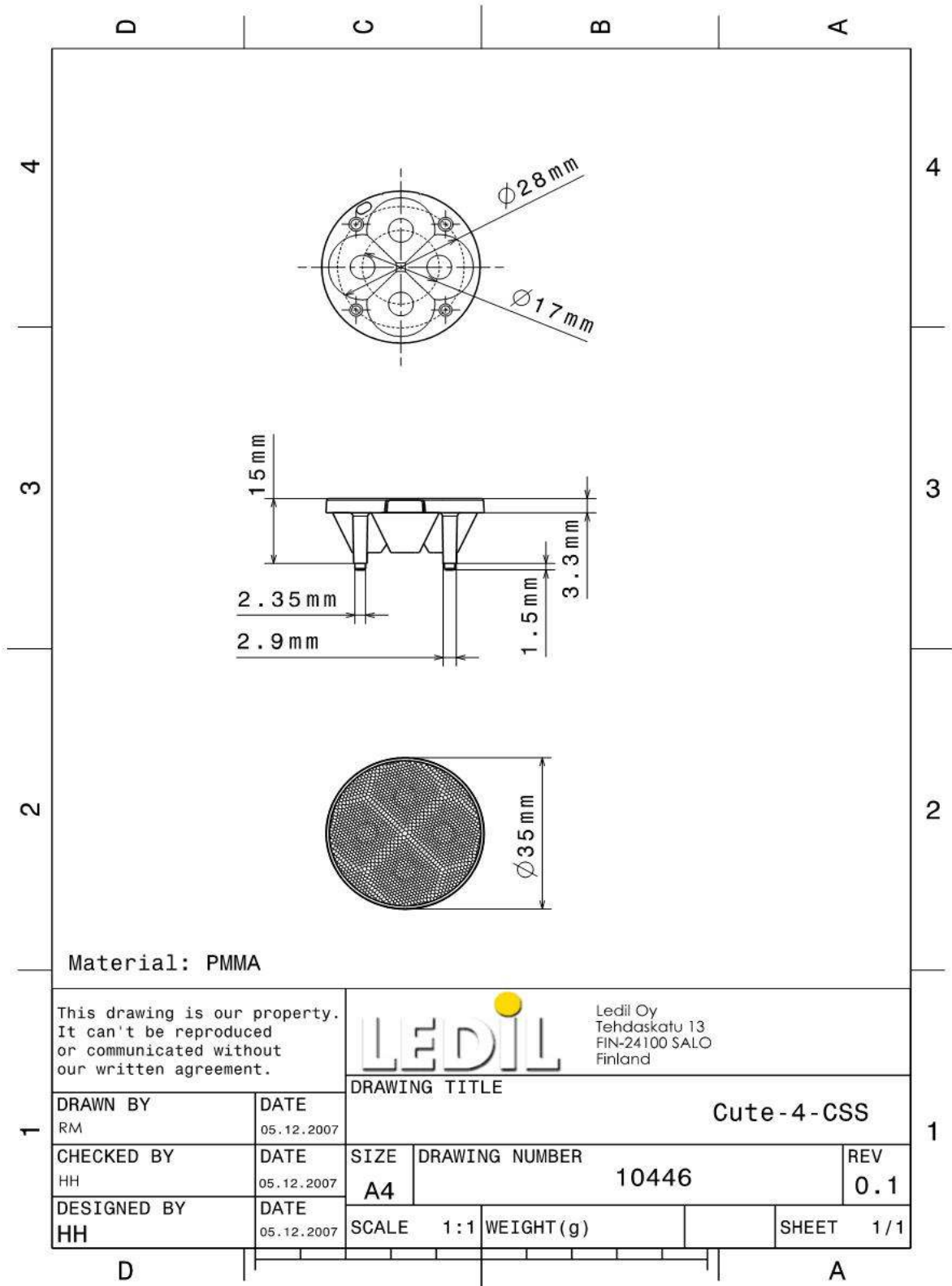
Relative Intensity of 10447_Cute-4-M



EULUMDAT & IES FILES AVAILABLE BY REQUEST

© Ledil Oy - PRELIMINARY - Subject to change without prior notice

DRAWINGS



© Ledil Oy - PRELIMINARY - Subject to change without prior notice