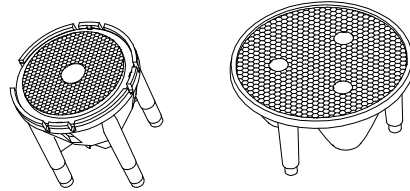




Secondary Color Mixing Lens for RGB Edixeon[®] LEDs



Features

- High Efficiency
- Available in various beams
- Total internal reflection technology
- Suitable for “Lambertian” type design
- New single and multiple pieces, housing or housing-less design for easier assembly, improved high performance/cost ratio

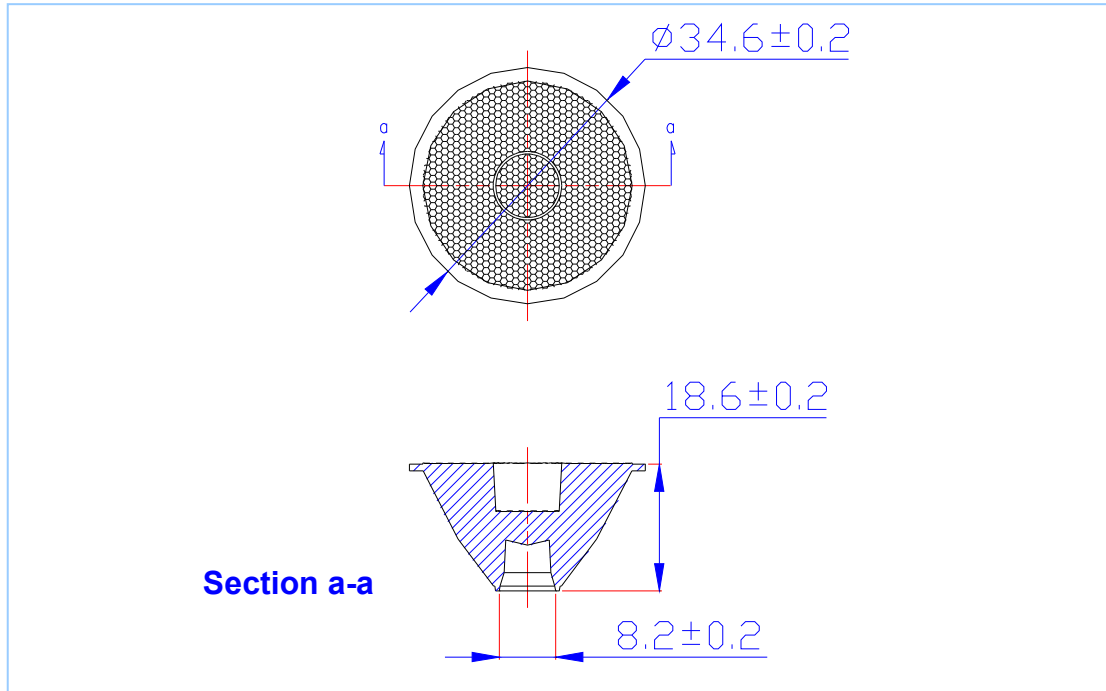
Typical Applications

- Architectural Lighting
- Stage Lighting
- Decoration Lights
- Down Lights

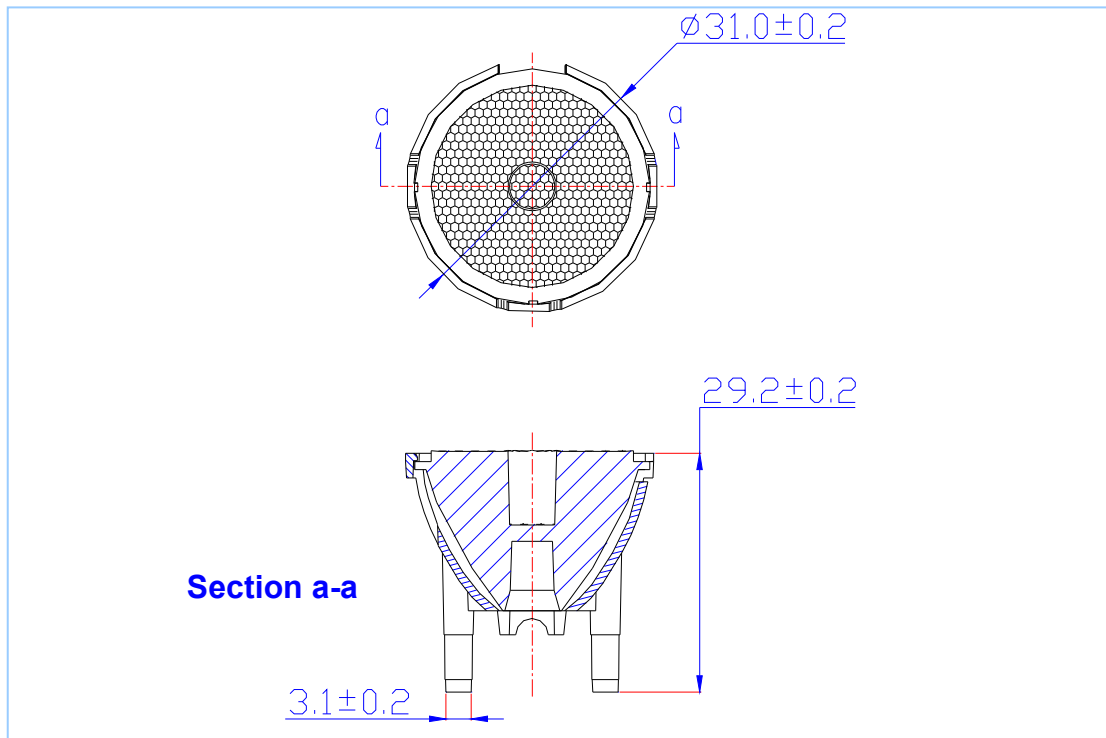
Package Outlines

Single Lens

EDOL-AB40-L1

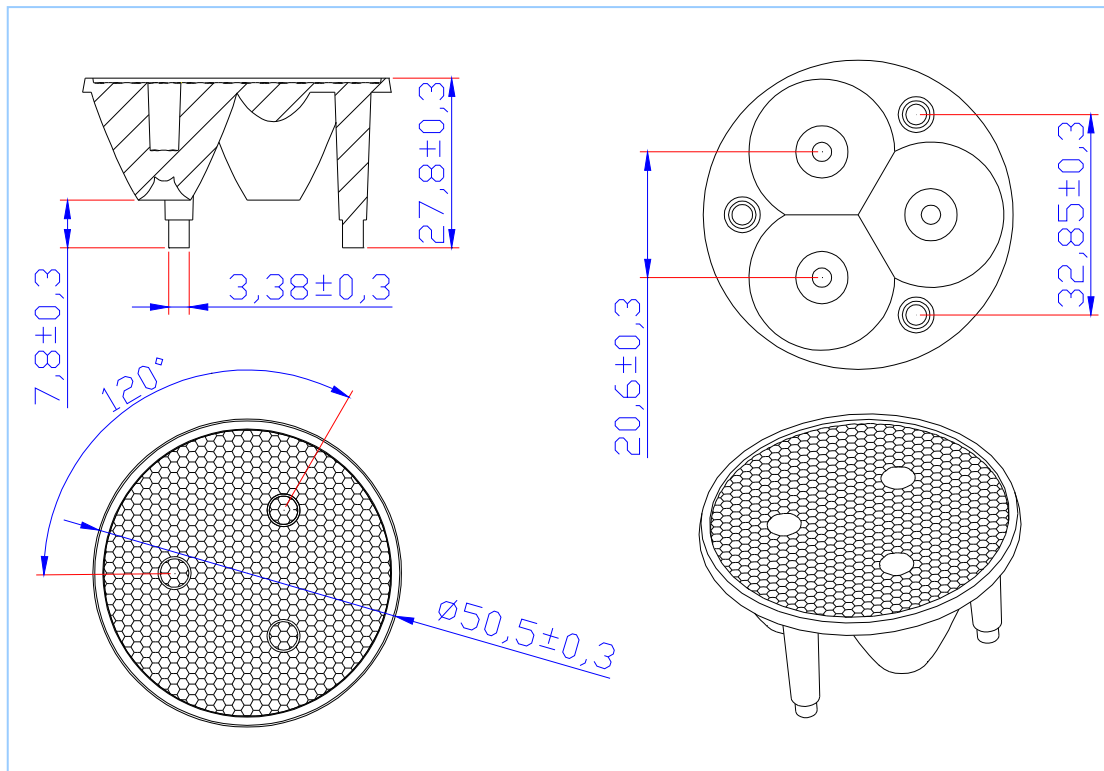


EDOL-AB45-M15 / EDOL-AB60-M15



Triple Lens

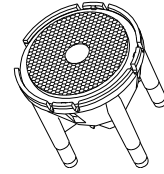
EDOL-AE30-L1 / EDOL-AE45-L1 / EDOL-AE60-L1



Notes:

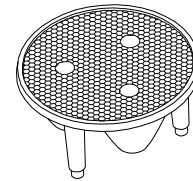
1. All dimensions are in mm.
2. Drawings not to scale.
3. Collimator material is PMMA
4. Housing material is PC

Optical Characteristics: Beam Divergence



Single Lens

Part Number	Type	Cone Angle (degrees)	LED Type
EDOL-AT40-L1	Medium	40	EDERTB-1LC6 EDERTB-1EC1
EDOL-AB45-M15	Medium	45	
EDOL-AB60-M15	Wide	60	



Triple Lens

Part Number	Cone Angle (degrees)	LED Type
EDOL-AE30-L1	30	EDERTB-1LC6
	30	EDERTB-1EC1

Part Number	Cone Angle (degrees)	LED Type
EDOL-AE45-L1	45	EDERTB-1LC6
	45	EDERTB-1EC1

Part Number	Cone Angle (degrees)	LED Type
EDOL-AE60-L1	60	EDERTB-1LC6
	60	EDERTB-1EC1

General Characteristics

Lens Material	Optical Grade PMMA
Housing Material	PC
Operating Temperature Range	-40 deg C / + 70 deg C
Storage Temperature Range	-40 deg C / + 70 deg C

Edixeon Lens Use and Maintenance

- 1. Clean Lenses with mild soap and water and a soft cloth.**
- 2. Do not use any commercial cleaning solvents on lenses, like alcohol.**
- 3. Please handle or install lenses with wearing gloves, skin oils may damage lens or optical characteristic.**