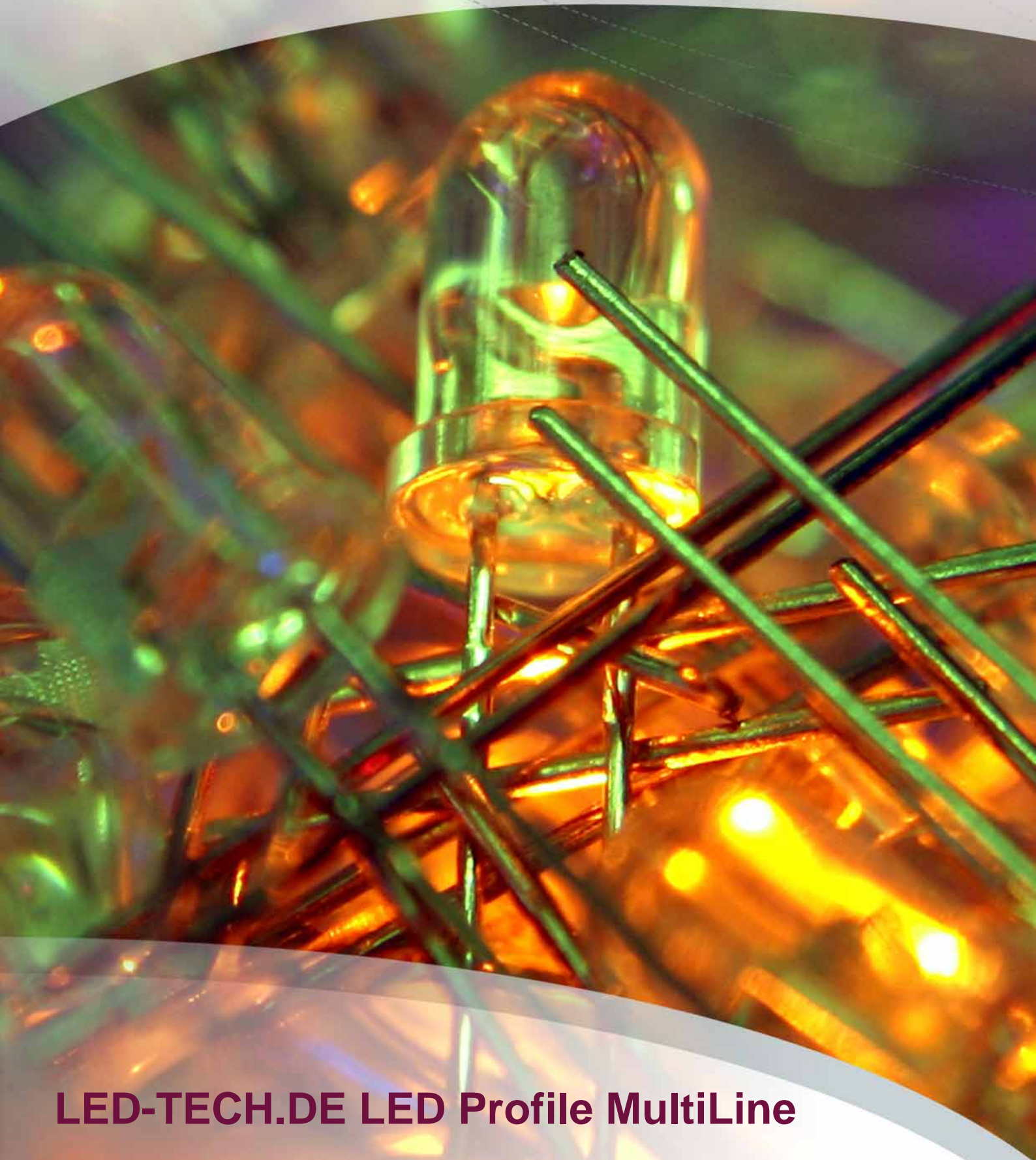


LED-TECH.DE
OPTOELECTRONICS



LED-TECH.DE LED Profile MultiLine

MultiLine profile cover FOCUS



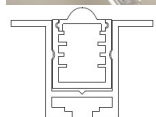
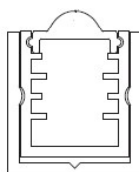
This alternative cover for the MultiLine aluminium profiles gives you the possibility to focus the illumination.

You can adjust the viewing angle by using the different insertion levels of the MultiLine profile.

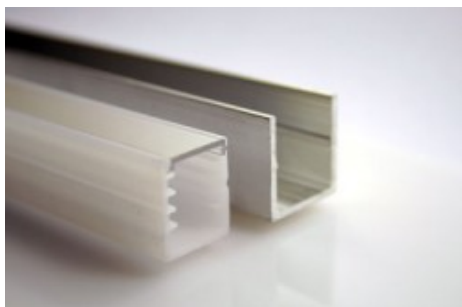
Remark: Please note that this is ONLY an alternative cover. The U-profile LT-978 and T-profile LT-1784 itself has to be ordered additionally. Please use the above mentioned link.

Part Number: LT-0910

Housing Color: clear



MultiLine Aluminium LED U-Profile



Part Number: LT-0978

Housing Color: alu-silver

High quality untreated aluminium LED profile with opal white PMMA plastic inlay and transparent cover for flexstrips, MultiLine LED PCBs and other common PCB with max. 11mm width.

The concept:

The aluminium profile has a little notch in the inside middle that fixes a once interposed inlay. The special option is that you have the possibility to turn the inlay around before plugging it into the profile. So you can choose between the covered transparent light output (for high brightnesses) or the closed inlay light output (very homogeneous lighting). For better understanding of these ways of mounting please have a look at the picture galerie.

Even more possibilities are given by different insertion levels inside the inlay. You can stick the circuit boards on different levels into the inlay to get different light output characteristics.

Possible ways of use:

Both components can of course be used on their own, too. If you need a better thermal management you can easily mount your circuit boards directly into the profile without inlay.

The other way round it would be possible to use only the inlay for 3mm or 5mm LED PCBs for example. The transparent effect of the inlay increases the customers WOW effect and is very useful for RGB applications.

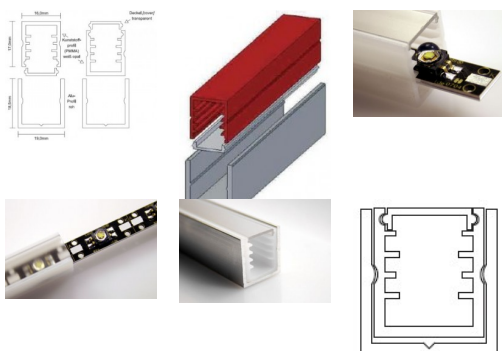
Please have a look at the picture galerie on the left, too.

- Profile material: Aluminium (untreated)
- Profile length: 1000mm
- Profile height: 18.8mm
- Profile width: 17.8mm

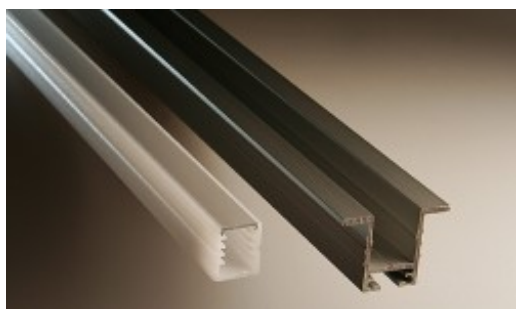
- Inlay material: Transparent PMMA plastic
- Inlay length: 1000mm
- Inlay height: 17.2mm
- Inlay width: 14.6mm

- Delivery: 1m U-profile, 1m inlay, 1m cover

Delivery in other lengths also possible on request.



MultiLine Aluminium LED T-Profile



Part Number: LT-1784

Housing Color: alu-silver

Perfect for suspended sealing constructions!

High quality untreated aluminium LED profile with opal white PMMA plastic inlay and transparent cover for flexstrips, MultiLine LED PCBs and other common PCBs with 11mm maximum width.

The concept:

The aluminium profile has a little notch in the inside middle that fixes a once interposed inlay. The special option is that you have the possibility to turn the inlay around before plugging it into the profile. So you can choose between the covered transparent light output (for high brightnesses) or the closed inlay light output (very homogeneous lighting). For better understanding of these ways of mounting please have a look at the picture galerie.

Even more possibilities are given by different insertion levels inside the inlay. You can stick the circuit boards on different levels into the inlay to get different light output characteristics.

Possible ways of use:

Both components can of course be used on their own, too. If you need a better thermal management you can easily mount your circuit boards directly into the profile without inlay.

The other way round it would be possible to use only the inlay for 3mm or 5mm LED PCBs for example. The transparent effect of the inlay increases the customers WOW effect and is very useful for RGB applications.

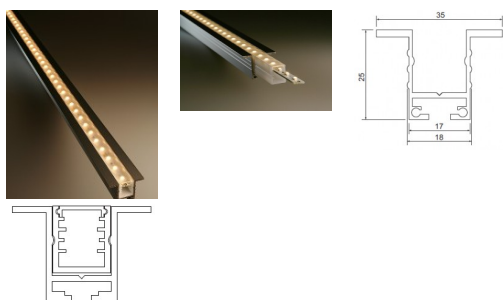
Please have a look at the picture galerie on the left, too.

- Profile material: Aluminium (untreated)
- Profile length: 1000mm
- Profile height: 18.8mm
- Profile width: 17.8mm

- Inlay material: Transparent PMMA plastic
- Inlay length: 1000mm
- Inlay height: 17.2mm
- Inlay width: 14.6mm

- Delivery: 1m T-profile, 1m inlay, 1m cover

Delivery in other lengths also possible on request.



Set of End caps for MultiLine T-Profile



Set with 2 end caps for the MultiLine T-profiles. The caps have the same outline as the profile to fit perfectly. The caps get mounted with two (included) screws.

Included in delivery:

2x Aluminium end caps

4x Screws

Part Number: LT-1787

Housing Color: alu-silver



Imprint



LED-TECH.DE optoelectronics Showroom

Director: Stefan Lenz

Am Schürmannshütt 38B

D-47441 Moers

Phone: (+49) 2841 / 97 91 7-0

Fax: (+49) 2841 / 97 91 7-29

Further we want to point at pictures, graphics and descriptions as well as the pagelayout itself which are all subject to copyright. Every offence will be prosecuted.

All mentioned prices are to be understood as gross prices including the value added tax (TAV). All offers are subject to prior sales and without commitment. Delivery times are to be understood from date of receipt of order. Mistakes and changes in prices are always reserved.



