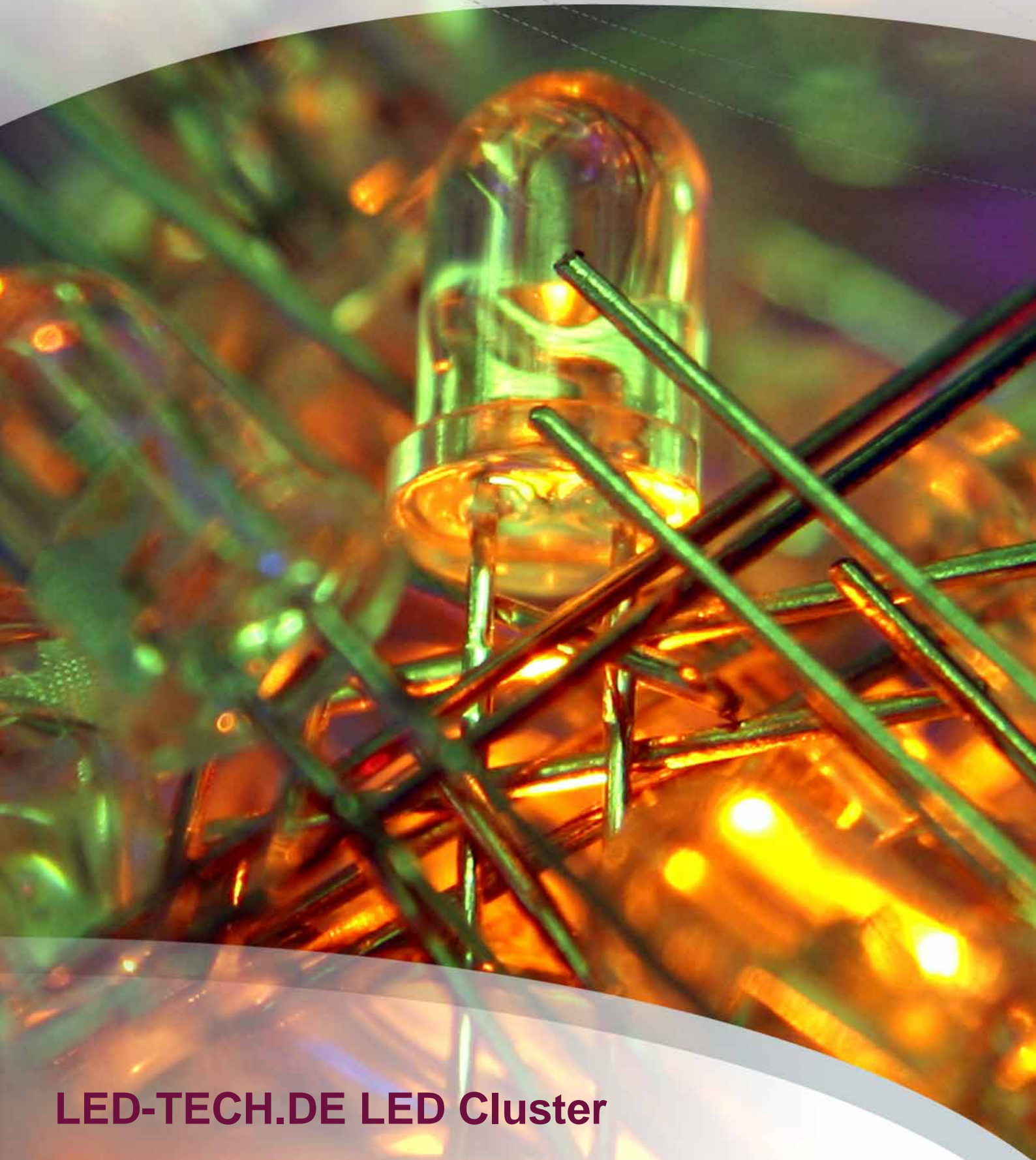


LED-TECH.DE

OPTOELECTRONICS



LED-TECH.DE LED Cluster

Fazer (infrared)



This cluster model comes with 14 LEDs in multicolor and 15 LEDs in monochrome version.

- LED diameter: 5mm
- Water resistant
- Ideal for every night vision application

Part Number: LT-0106

Diameter: 26mm

Viewing Angle: 40°

Housing Color: black

Emitting Color: infrared

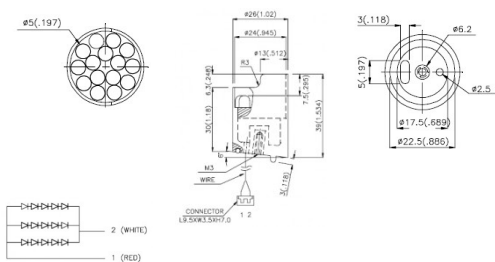
Nanometer: 940

mA test.: 60 mcd

mA typ.: 90 mA

V typ.: 6,0 V

V max.: 8,0 V



Fazer (red / green)



This cluster modell comes with 14 LEDs in multicolor and 15 LEDs in monochrome version.

- Nanometer: R=640 / G=568
- MCD min.: R=1600 / G=800
- MCD typ.: R=2800 / G=1600
- LED diameter: 5mm
- 2 electricity paths
- Separate control possible
- Water resistant
- Ideal for effective car lighting

Part Number: LT-0108

Diameter: 26mm

Viewing Angle: 40°

Housing Color: black

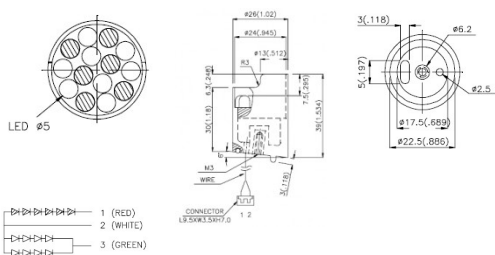
Emitting Color: red / green

mA test.: R=20 / G=40 mcd

mA typ.: R=30 / G=50 mA

V typ.: R=11,1 / G=8,8 V

V max.: R=15,0 / G=10,0 V



Fazer (red)



This cluster modell comes with 14 LEDs in multicolor and 15 LEDs in monochrome version.

- LED diameter: 5mm
- Separate control possible
- Water resistant
- Ideal for effective car lighting

Part Number: LT-0109

Diameter: 26mm

Viewing Angle: 40°

Housing Color: black

Emitting Color: red

Nanometer: 625

MCD typ.: 1200 mcd

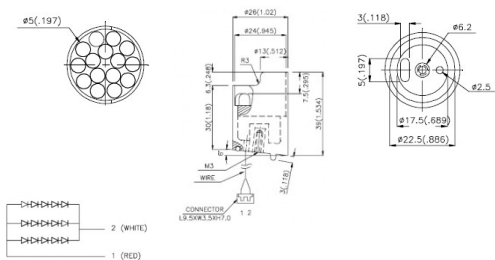
MCD max.: 2000 mcd

mA test.: 60 mcd

mA typ.: 90 mA

V typ.: 10,0 V

V max.: 12,0 V



Fazer (red)



This cluster modell comes with 14 LEDs in multicolor and 15 LEDs in monochrome version.

- LED diameter: 5mm
- Separate control possible
- Water resistant
- Ideal for effective car lighting

Part Number: LT-0110

Diameter: 26mm

Viewing Angle: 40°

Housing Color: black

Emitting Color: red

Nanometer: 640

MCD typ.: 12000 mcd

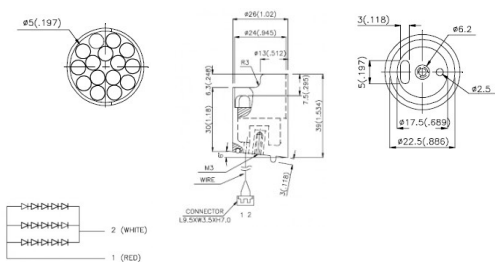
MCD max.: 14000 mcd

mA test.: 60 mcd

mA typ.: 90 mA

V typ.: 9,3 V

V max.: 12,5 V



Fazer (green)



This cluster modell comes with 14 LEDs in multicolor and 15 LEDs in monochrome version.

- LED diameter: 5mm
- Separate control possible
- Water resistant
- Ideal for effective car lighting

Part Number: LT-0111

Diameter: 26mm

Viewing Angle: 40°

Housing Color: black

Emitting Color: green

Nanometer: 568

MCD typ.: 2400 mcd

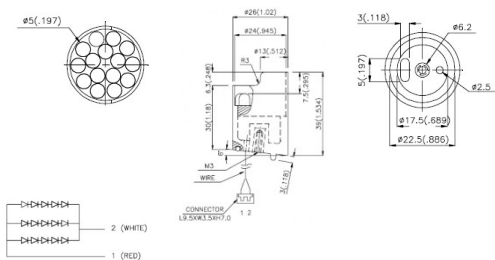
MCD max.: 3500 mcd

mA test.: 60 mcd

mA typ.: 75 mA

V typ.: 10,0 V

V max.: 12,0 V



Fazer (yellow)



This cluster modell comes with 14 LEDs in multicolor and 15 LEDs in monochrome version.

- LED diameter: 5mm
- Separate control possible
- Water resistant
- Ideal for effective car lighting

Part Number: LT-0113

Diameter: 26mm

Viewing Angle: 20°

Housing Color: black

Emitting Color: yellow

Nanometer: 588

MCD typ.: 15000 mcd

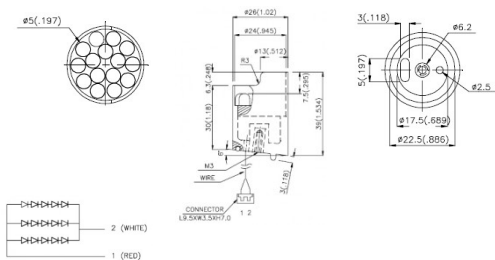
MCD max.: 17500 mcd

mA test.: 60 mcd

mA typ.: 90 mA

V typ.: 10,0 V

V max.: 12,0 V



Fazer (blue)



This cluster model comes with 14 LEDs in multicolor and 15 LEDs in monochrome version.

- LED diameter: 5mm
- Separate control possible
- Water resistant
- Ideal for effective lighting

Part Number: LT-0115

Diameter: 26mm

Viewing Angle: 40°

Housing Color: black

Emitting Color: blue

Nanometer: 466

MCD typ.: 1000 mcd

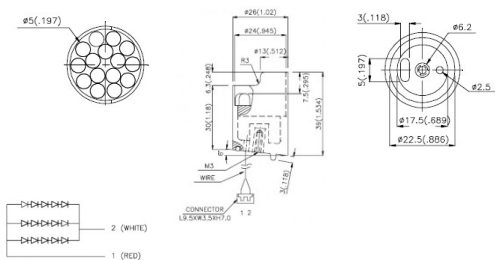
MCD max.: 1600 mcd

mA test.: 60 mcd

mA typ.: 90 mA

V typ.: 19,0 V

V max.: 22,5 V



Photon (yellow)



This cluster modell comes with 21 LEDs.

- LED diameter: 3mm
- Water resistant
- 3 electricity paths
- Separate control possible
- Idela for effective lighting

Part Number: LT-0119

Diameter: 26mm

Viewing Angle: 40°

Housing Color: black

Emitting Color: yellow

Nanometer: 588

MCD typ.: 7500 mcd

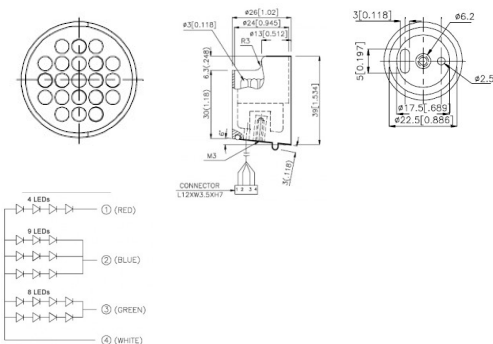
MCD max.: 8300 mcd

mA test.: 20 / 60 / 40 mcd

mA typ.: 180 mA

V typ.: 8,0 / 6,0 / 8,0 V

V max.: 9,6 / 7,2 / 9,6 V



Photon (red)



This cluster modell comes with 21 LEDs.

- LED diameter: 3mm
- Water resistant
- 3 electricity paths
- Separate control possible
- Ideal for effective lighting

Part Number: LT-0120

Diameter: 26mm

Viewing Angle: 40°

Housing Color: black

Emitting Color: red

Nanometer: 640

MCD typ.: 10000 mcd

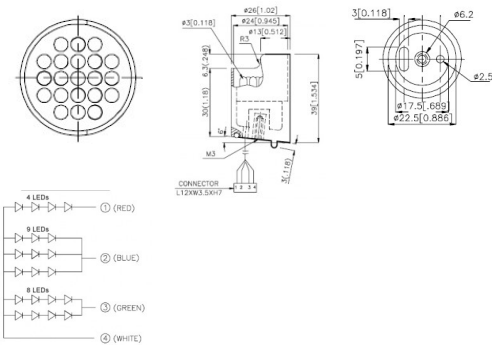
MCD max.: 11800 mcd

mA test.: 20 / 60 / 40 mcd

mA typ.: 180 mA

V typ.: 7,4 / 5,5 / 7,4 V

V max.: 10,0 / 7,5 / 10,0 V



Photon (green)



This cluster modell comes with 21 LEDs.

- LED diameter: 3mm
- Water resistant
- 3 electricity paths
- Separate control possible
- Idela for effective lighting

Part Number: LT-0121

Diameter: 26mm

Viewing Angle: 35°

Housing Color: black

Emitting Color: green

Nanometer: 565

MCD typ.: 2150 mcd

MCD max.: 2900 mcd

mA test.: 20 / 60 / 40 mcd

mA typ.: 150 mA

V typ.: 8,8 / 6,6 / 8,8 V

V max.: 10,0 / 7,5 / 10,0 V

Photon (red / green / blue)



This cluster modell comes with 21 LEDs.

- Nanometer: R=640 / G=568 / B=455
- MCD min.: R=800 / G=560 / B=180
- MCD typ.: R=1800 / G=1200 / B=300
- LED diameter: 3mm
- Water resistant
- 3 electricity paths
- Separate control possible
- Idela for effective lighting

Part Number: LT-0122

Diameter: 26mm

Viewing Angle: 40°

Housing Color: black

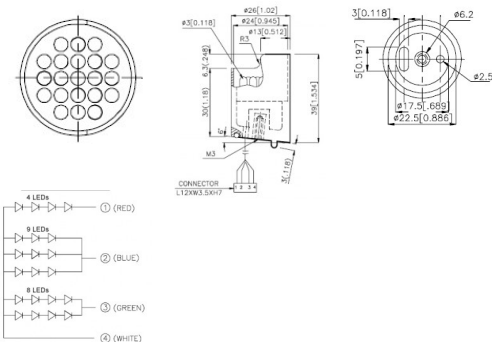
Emitting Color: red / green / blue

mA test.: R=20 / G=40 / B=60 mcd

mA typ.: R=30 / G=50 / B=90 mA

V typ.: R=7,4 / G=8,8 / B=11 V

V max.: R=10,0 / G=10,0 / B= V



Photon (red / green / blue)



This cluster modell comes with 21 LEDs.

- Nanometer: R=640 / G=515 / B=468
- MCD min.: R=6700 / G=20000 / B=5700
- MCD typ.: R=14000 / G=50000 / B=13000
- LED diameter: 3mm
- Water resistant
- 3 electricity paths
- Separate control possible
- Idela for effective lighting

Part Number: LT-0124

Diameter: 26mm

Viewing Angle: 40°

Housing Color: black

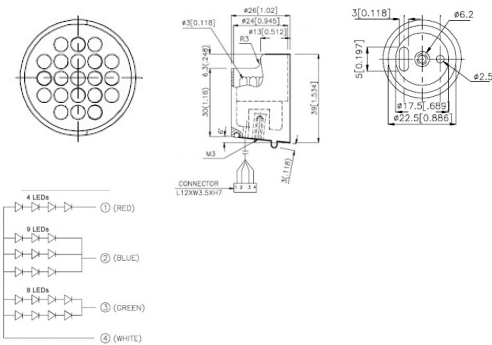
Emitting Color: red / green / blue

mA test.: R=20 / G=40 / B=60 mcd

mA typ.: R=30 / G=60 / B=90 mA

V typ.: R=8,8/G=13,2/B=9,9 V

V max.: R=11,2/G=16,4/B=12 V



Nova (red)



This cluster modell comes with 50 LEDs!

- LED diameter: 5mm
- Water resistant
- Idela for effective lighting

Part Number: LT-0125

Diameter: 52mm

Viewing Angle: 40°

Housing Color: black

Emitting Color: red

Nanometer: 640

MCD typ.: 20000 mcd

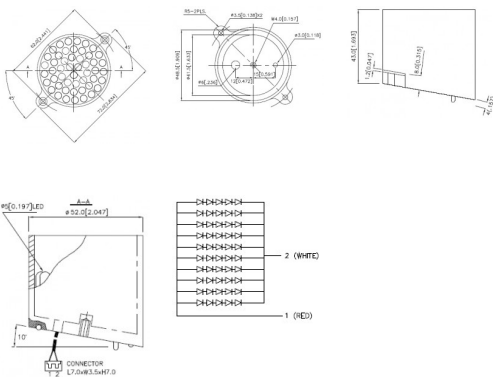
MCD max.: 23700 mcd

mA test.: 200 mcd

mA typ.: 250 mA

V typ.: 9,25 V

V max.: 12,5 V



Nova (yellow)



This cluster modell comes with 50 LEDs!

- LED diameter: 5mm
- Water resistant
- Idela for effective lighting

Part Number: LT-0126

Diameter: 52mm

Viewing Angle: 40°

Housing Color: black

Emitting Color: yellow

Nanometer: 588

MCD typ.: 18000 mcd

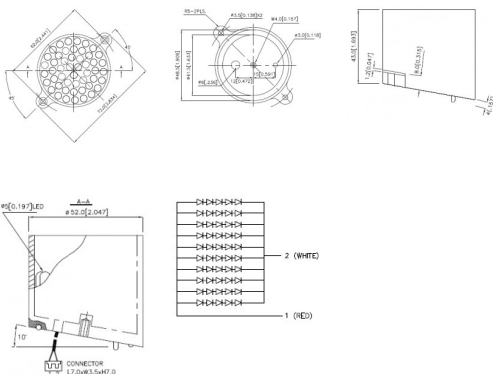
MCD max.: 20500 mcd

mA test.: 200 mcd

mA typ.: 300 mA

V typ.: 10,0 V

V max.: 12,0 V



Nova (red / green)



- ODD LOT -

This cluster modell comes with 52 LEDs!

- Nanometer: R=640 / G=568
- MCD min.: R=6500 / G=2800
- MCD typ.: R=12000 / G=4000
- LED diameter: 5mm

Part Number: LT-0128

Diameter: 52mm

Viewing Angle: 40°

Housing Color: black

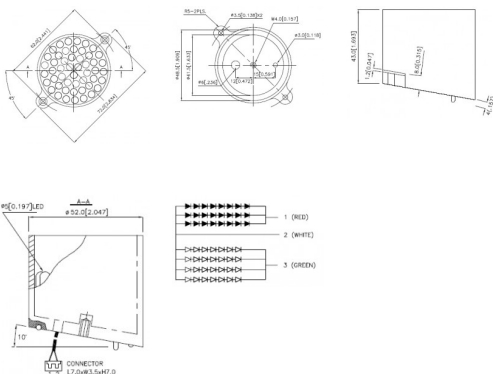
Emitting Color: red / green

mA test.: R=60 / G=80 mcd

mA typ.: 190 mA

V typ.: R=9,3 / G=11,0 V

V max.: R=12,5 / G=12,5 V



Nova (yellow)



This cluster modell comes with 50 LEDs!

- LED diameter: 5mm
- Water resistant
- Ideal for effective lighting

Part Number: LT-0133

Diameter: 52mm

Viewing Angle: 40°

Housing Color: black

Emitting Color: yellow

Nanometer: 589

MCD typ.: 100000 mcd

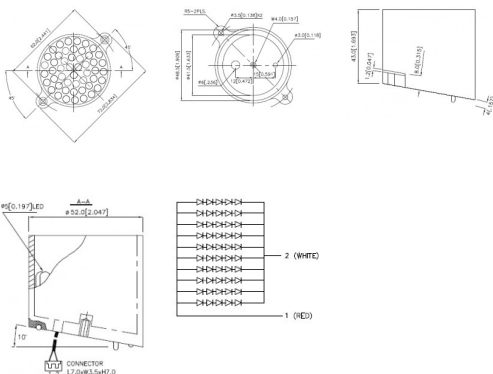
MCD max.: 140000 mcd

mA test.: 200 mcd

mA typ.: 300 mA

V typ.: 11,5 V

V max.: 14,0 V



Q-Basic (red)



This cluster modell comes with 9 LEDs in multicolor and monochrome version.

- LED diameter: 5mm
- Water resistant
- Idela for effective lighting

Part Number: LT-0136

Diameter: 22x22mm

Viewing Angle: 40°

Housing Color: black

Emitting Color: red

Nanometer: 660

MCD typ.: 4500 mcd

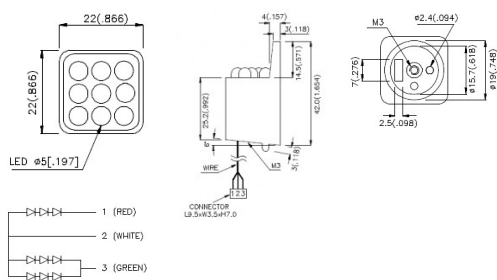
MCD max.: 5200 mcd

mA test.: 60 mcd

mA typ.: 90 mA

V typ.: 5,6 V

V max.: 7,5 V



Q-Basic (green)



This cluster modell comes with 9 LEDs in multicolor and monochrome version.

- LED diameter: 5mm
- Water resistant
- Idela for effective lighting

Part Number: LT-0137

Diameter: 22x22mm

Viewing Angle: 40°

Housing Color: black

Emitting Color: green

Nanometer: 565

MCD typ.: 1600 mcd

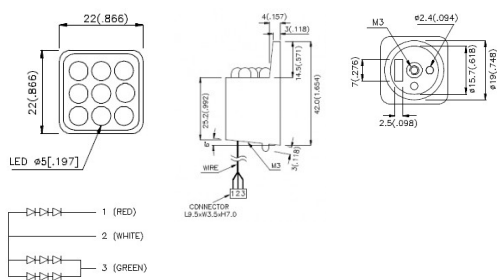
MCD max.: 2100 mcd

mA test.: 60 mcd

mA typ.: 75 mA

V typ.: 6,0 V

V max.: 7,5 V



Q-Basic (yellow)



This cluster modell comes with 9 LEDs in multicolor and monochrome version.

- LED diameter: 5mm
- Water resistant
- Idela for effective lighting

Part Number: LT-0138

Diameter: 22x22mm

Viewing Angle: 40°

Housing Color: black

Emitting Color: yellow

Nanometer: 588

MCD typ.: 3300 mcd

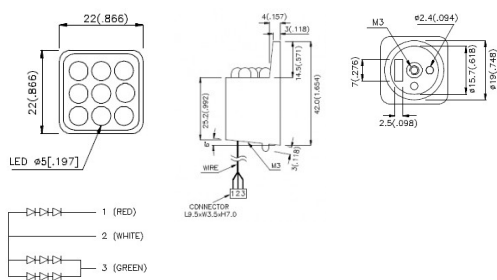
MCD max.: 4200 mcd

mA test.: 20 / 40 mcd

mA typ.: 90 mA

V typ.: 6,0 / 6,0 V

V max.: 7,2 / 7,2 V



Q-Basic (white)



This cluster modell comes with 9 LEDs in multicolor and monochrome version.

- LED diameter: 5mm
- Water resistant
- 2 electricity paths
- Separate control possible
- Idela for effective lighting

Part Number: LT-0140

Diameter: 22x22mm

Viewing Angle: 40°

Housing Color: black

Emitting Color: white

X: 0,330

Y: 0,330

MCD typ.: 12600 mcd

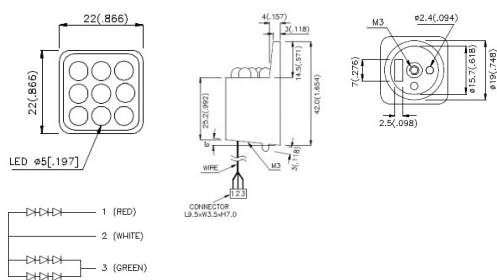
MCD max.: 15000 mcd

mA test.: 20 / 40 mcd

mA typ.: 90 mA

V typ.: 10,5 / 10,5 V

V max.: 12,0 / 12,0 V



Q-Advance (red)



This cluster model comes with 18 LEDs in multicolor and monochrome version.

- LED diameter: 5mm
- Water resistant
- 3 electricity paths
- Separate control possible
- Ideal for effective lighting

Part Number: LT-0141

Diameter: 28x28mm

Viewing Angle: 40°

Housing Color: black

Emitting Color: red

Nanometer: 625

MCD typ.: 1800 mcd

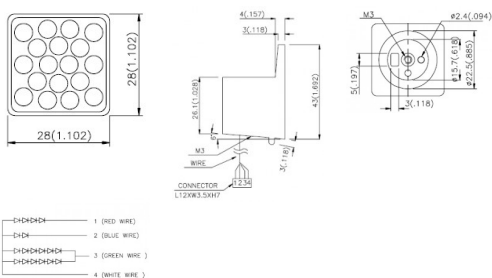
MCD max.: 2500 mcd

mA test.: 20 / 20 / 40 mcd

mA typ.: 120 mA

V typ.: 7,4 / 3,7 / 11,1 V

V max.: 10,0 / 5,0 / 15,0 V



Q-Advance (green)



This cluster modell comes with 18 LEDs in multicolor and monochrome version.

- LED diameter: 5mm
- Water resistant
- 3 electricity paths
- Separate control possible
- Idela for effective lighting

Part Number: LT-0142

Diameter: 28x28mm

Viewing Angle: 50°

Housing Color: black

Emitting Color: green

Nanometer: 568

MCD typ.: 4300 mcd

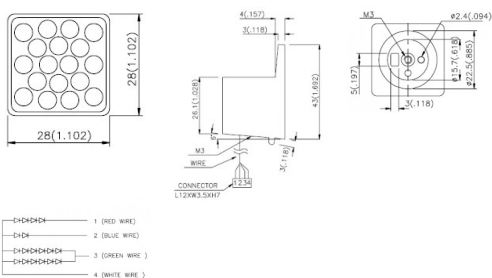
MCD max.: 5400 mcd

mA test.: 20 / 40 / 20 mcd

mA typ.: 30 / 60 / 90 mA

V typ.: 8,5 / 12,5 / 4,5 V

V max.: 10,0 / 15,0 / 5,0 V



Nova (infrared)



This cluster modell comes with 50 LEDs!

- LED diameter: 5mm
- Water resistant
- Ideal for every night vision application

Part Number: LT-0392

Diameter: 52mm

Viewing Angle: 40°

Housing Color: black

Emitting Color: infrared

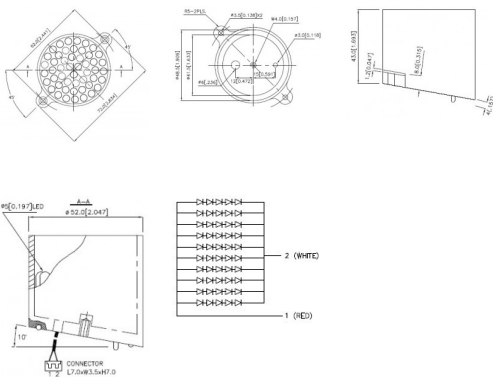
Nanometer: 880

mA test.: 200 mcd

mA typ.: 500 mA

V typ.: 6,5 V

V max.: 8,0 V



Imprint



LED-TECH.DE optoelectronics Showroom

Director: Stefan Lenz

Am Schürmannshütt 38B

D-47441 Moers

Phone: (+49) 2841 / 97 91 7-0

Fax: (+49) 2841 / 97 91 7-29



Further we want to point at pictures, graphics and descriptions as well as the pagelayout itself which are all subject to copyright. Every offence will be prosecuted.

All mentioned prices are to be understood as gross prices including the value added tax (TAV). All offers are subject to prior sales and without commitment. Delivery times are to be understood from date of receipt of order. Mistakes and changes in prices are always reserved.



