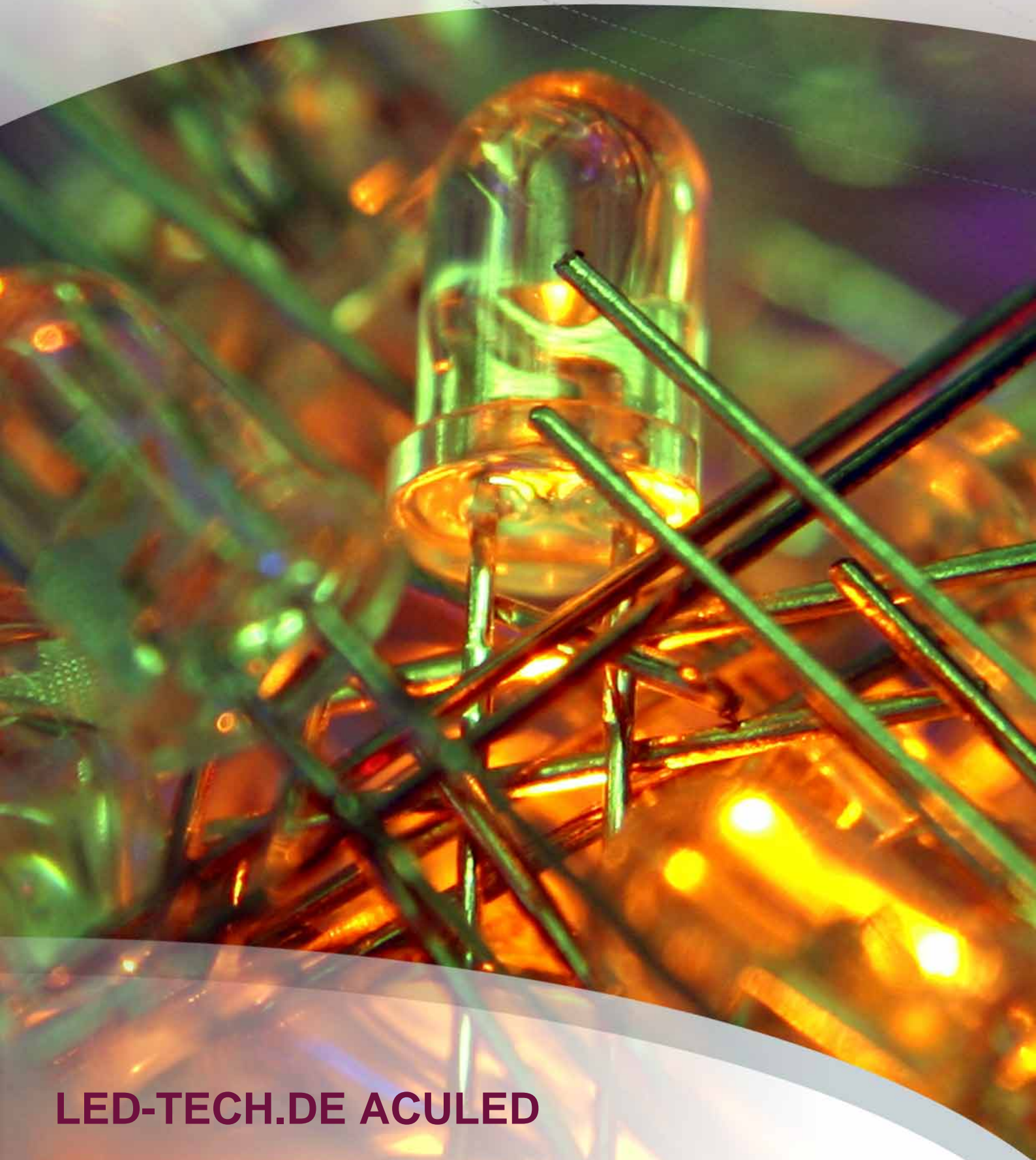


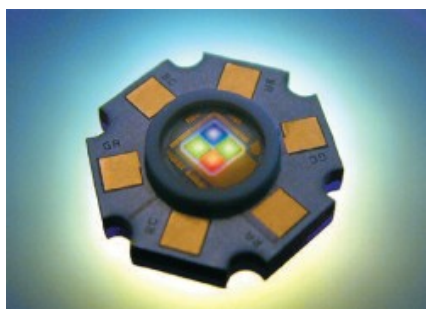
# LED-TECH.DE

OPTOELECTRONICS



LED-TECH.DE ACULED

# ACULED RGB (3chip RGB LED) (red / green / blue)



The new multi-use all color high power LED!

New: Now available with indiv. Chips (see datasheet)

A Compact LED - designed for operation in speciality lighting applications. Typical applications for this product are

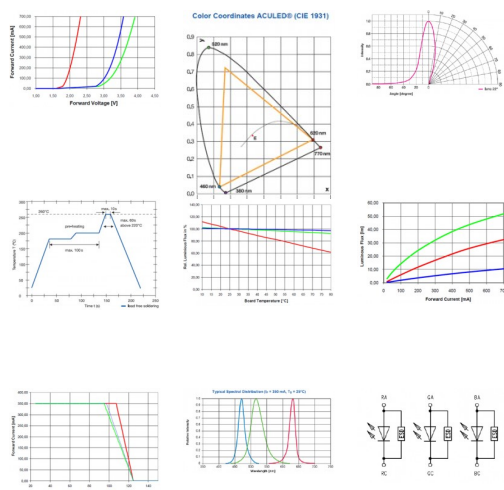
- In Mood lighting
- Indoor / outdoor illumination
- Architectural lighting
- Stage lighting
- Signal lighting
- Automotive interior lighting
- and many more...

This LED is a high power light source utilizing multi chip-on-board (COB) technology. The close chip placement achieves an exquisite white color mix. Excellent multi-color mixing is also achievable by driving each chip individually using one blue, one red and two green power chips.

You can find additional optics [here](#).

The design is also compact and has a superior optical design. In addition, the copper board provides for superior thermal conductivity.

{warning1}



# ACULED Lens

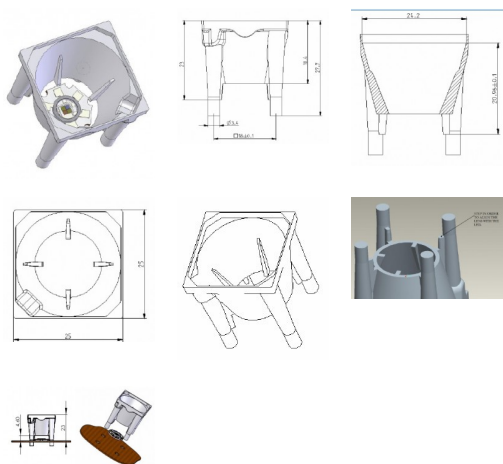


Lens for ACULED RGB LED. The lens is 25mm squared and 28mm high.

Part Number: LT-0833

Viewing Angle: 22°

Housing Color: white



# ACULED Lens

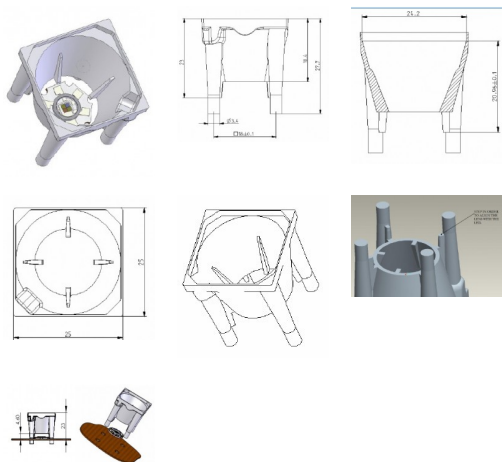


Lense for ACULED RGB LED. The lense is 25mm squared and 28mm high.

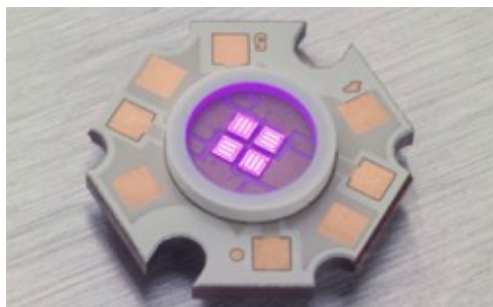
Part Number: LT-0834

Viewing Angle: 32°

Housing Color: white



# ACULED VHL (4chip UV LED) (UV)



The new high power UV LED with 4 chips!

New: Now available with indiv. Chips (see datasheet)

A compact UV LED - designed for operation in speciality lighting applications.

This LED is a high power light source utilizing multi chip-on-board (COB) technology. The close chip placement achieves minimum space between the chips. You can find additional optics here. The design is also compact and has a superior optical design. In addition, the copper board provides for superior thermal conductivity.

{warning1}

Part Number: LT-1175

Diameter: 14mm

Viewing Angle: 130°

Housing Color: clear

Emitting Color: UV

Nanometer: 400

Lumen typ.: 202 mcd

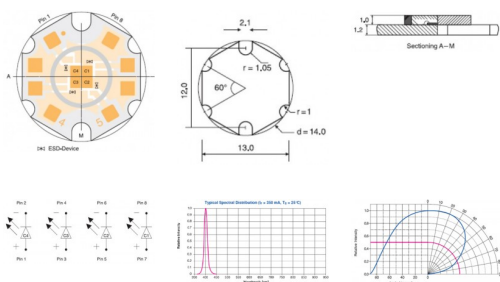
Lumen max.: 320 mcd

mA test.: 350 mcd

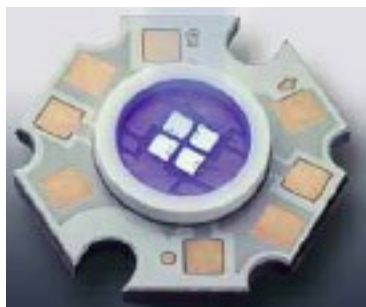
mA typ.: 500 mA

mA max.: 500 mA

V typ.: 4.5 V



## ACULED Deep Blue (4chip LED) (royal blue)



Part Number: LT-1409  
 Diameter: 14mm  
 Viewing Angle: 120°  
 Housing Color: clear  
 Emitting Color: royal blue  
 Nanometer: 455  
 Lumen typ.: 55 mcd  
 mA test.: 350 mcd  
 mA typ.: 350 mA  
 mA max.: 700 mA  
 V typ.: 3,5 V

The new multi-use all color high power LED!

New: Now available with indiv. Chips (see datasheet)

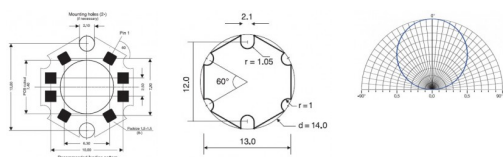
A Compact LED - designed for operation in speciality lighting applications. Typical applications for this product are

- In Mood lighting
- Indoor / outdoor illumination
- Architectural lighting
- Stage lighting
- Signal lighting
- Automotive interior lighting
- and many more...

This LED is a high power light source utilizing multi chip-on-board (COB) technology. The close chip placement achieves an exquisite white color mix. Excellent multi-color mixing is also achievable by driving each chip individually using four royal blue power chips.

Each color has a separate anode and cathode. The two green chips are serially connected. You can find additional optics here. The design is also compact and has a superior optical design. In addition, the copper board provides for superior thermal conductivity.

{warning1}



# Imprint



LED-TECH.DE optoelectronics Showroom

Director: Stefan Lenz

Am Schürmannshütt 38B

D-47441 Moers

Phone: (+49) 2841 / 97 91 7-0

Fax: (+49) 2841 / 97 91 7-29

Further we want to point at pictures, graphics and descriptions as well as the pagelayout itself which are all subject to copyright. Every offence will be prosecuted.

All mentioned prices are to be understood as gross prices including the value added tax (TAV). All offers are subject to prior sales and without commitment. Delivery times are to be understood from date of receipt of order. Mistakes and changes in prices are always reserved.



